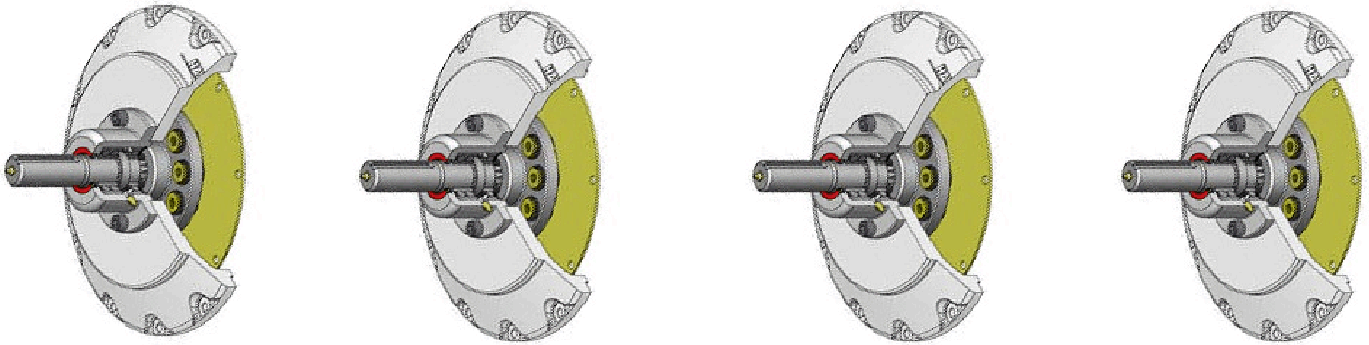




---

## Bearing Supported Stub Shafts

---



# Bearing Supported Stub Shafts

**Hayes Manufacturing, Inc.**

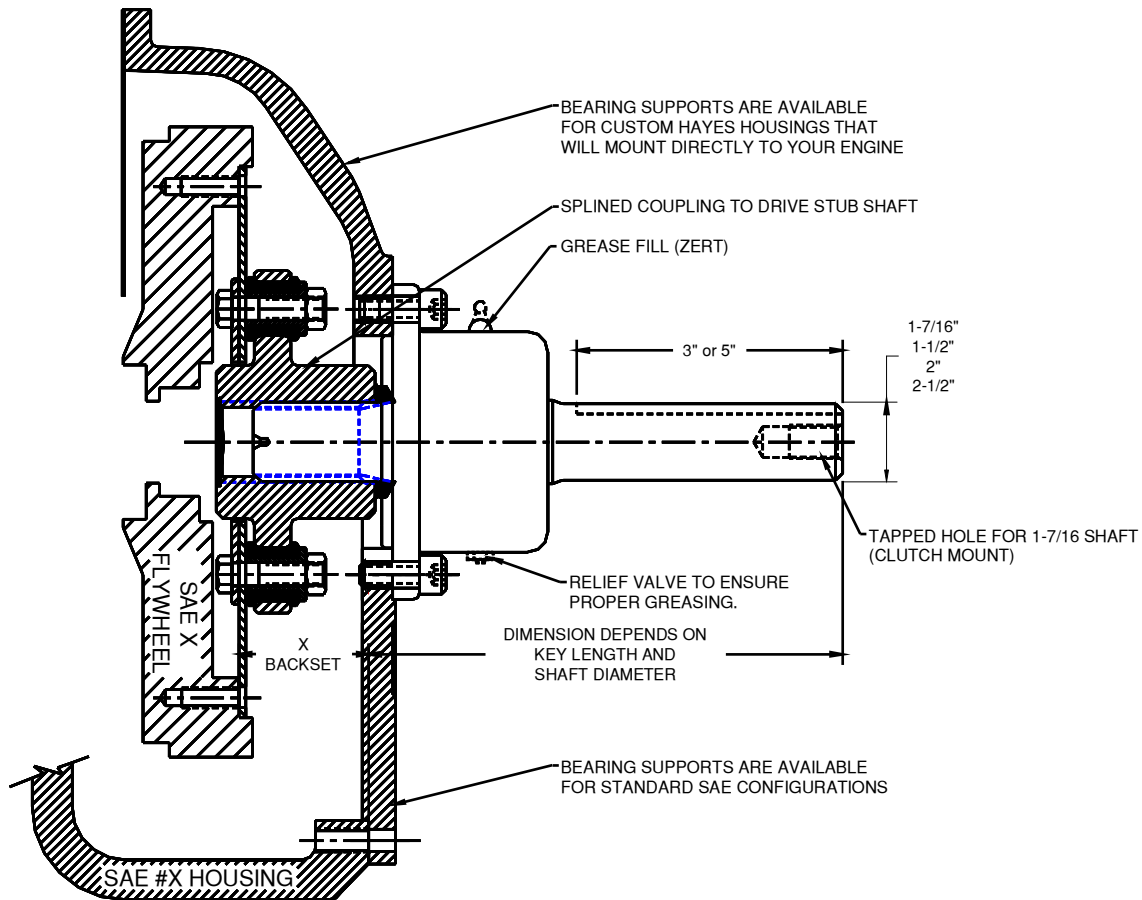
6875 U.S. 131

Fife Lake, MI 49633

Phone: (231) 879-3372 Fax: (231) 879-4330

Visit us at [www.hayescouplings.com](http://www.hayescouplings.com)

# THE HAYES BEARING SUPPORTED STUB SHAFT ASSEMBLY IS SPECIFICALLY DESIGNED FOR SIDE LOAD APPLICATIONS



**IMPORTANT NOTE:** THE HAYES BEARING SUPPORT MUST BE GREASED EVERY 2000 HOURS TO ENSURE PROPER BEARING LIFE!

## Specifications

**Output:** Depends on your application for shaft size and length.

## Ratings

**Input Torque (max.):** 650 lb-ft  
**Input / Output Speed:** 3000 rpm  
**Power(Max.):** 350 HP  
**Bearings:** 3 Years Continuous Running

The Hayes Stub Shaft design employs a single and double roll radial ball bearing designed for light and heavy-duty work, **not to exceed side loads listed in tables 1 through 4**. The bearings are self-contained in our specially designed housing that will keep the assembly free of contamination. Hayes Bearing Supported Stub Shafts come pre-mounted to your specific flywheel housing plate or custom Hayes housing. Along with the mounted bearing support, you will also receive a Hayes Flywheel Coupling that will be sized for your application to drive the bearing support sub-assembly.

We emphasize that the data contained herein should be used as a guide only. The tabulation is based on laboratory tests but does not take into account all variables that can be encountered in actual use. Therefore, it is advisable to test the material under actual service conditions before specification. If this is not practical, tests should be devised that simulate your service conditions as closely as possible.

**SEE FOLLOWING TABLES 1 THROUGH 4 FOR SIDE LOAD RATINGS**

**IMPORTANT:** If you have an application that you feel is not covered by this data Please Call to determine what Hayes can offer you. Remember these loads are calculated for 3 years of continuous running. If you are not running the unit 24 hours a day 7 days a week you may be able to have a higher load at higher RPM's.

| <b>Side Load Ratings For 1-7/16" Bearing Supported Stub Shaft (Tapped For Centrifugal Clutch)</b> |                              |                              |                              |                              |                              |                             |                             |                             |                             |
|---|------------------------------|------------------------------|------------------------------|------------------------------|------------------------------|-----------------------------|-----------------------------|-----------------------------|-----------------------------|
|   | Side Load<br><b>1000lbs.</b> | Side Load<br><b>1000lbs.</b> | Side Load<br><b>1000lbs.</b> | Side Load<br><b>1000lbs.</b> | Side Load<br><b>1000lbs.</b> | Side Load<br><b>950lbs.</b> | Side Load<br><b>910lbs.</b> | Side Load<br><b>870lbs.</b> | Side Load<br><b>810lbs.</b> |
|   | 500 rpm                      | 800 rpm                      | 1100 rpm                     | 1400 rpm                     | 1700 rpm                     | 2000 rpm                    | 2300 rpm                    | 2600 rpm                    | 3000 rpm                    |
| <b>Basic L-10 Life Hours</b>  | <b>91468</b>                 | <b>57168</b>                 | <b>41577</b>                 | <b>32667</b>                 | <b>26902</b>                 | <b>26671</b>                | <b>26387</b>                | <b>26712</b>                | <b>28686</b>                |

TABLE 1

| <b>Side Load Ratings For 1-1/2" Bearing Supported Stub Shaft</b> |                             |                              |                              |                              |                              |                             |                             |                             |                             |
|--|-----------------------------|------------------------------|------------------------------|------------------------------|------------------------------|-----------------------------|-----------------------------|-----------------------------|-----------------------------|
|  | Side Load<br><b>1500lbs</b> | Side Load<br><b>1240lbs.</b> | Side Load<br><b>1160lbs.</b> | Side Load<br><b>1075lbs.</b> | Side Load<br><b>1000lbs.</b> | Side Load<br><b>950lbs.</b> | Side Load<br><b>910lbs.</b> | Side Load<br><b>870lbs.</b> | Side Load<br><b>810lbs.</b> |
|  | 500 rpm                     | 800 rpm                      | 1100 rpm                     | 1400 rpm                     | 1700 rpm                     | 2000 rpm                    | 2300 rpm                    | 2600 rpm                    | 3000 rpm                    |
| <b>Basic L-10 Life Hours</b>                                     | <b>27102</b>                | <b>29984</b>                 | <b>26636</b>                 | <b>26296</b>                 | <b>26902</b>                 | <b>26671</b>                | <b>26387</b>                | <b>26712</b>                | <b>28686</b>                |

TABLE 2

| <b>Side Load Ratings For 2" Bearing Supported Stub Shaft</b> |                             |                              |                              |                              |                              |                              |                              |                              |                              |
|--|-----------------------------|------------------------------|------------------------------|------------------------------|------------------------------|------------------------------|------------------------------|------------------------------|------------------------------|
|  | Side Load<br><b>2600lbs</b> | Side Load<br><b>2300lbs.</b> | Side Load<br><b>2175lbs.</b> | Side Load<br><b>2025lbs.</b> | Side Load<br><b>1900lbs.</b> | Side Load<br><b>1810lbs.</b> | Side Load<br><b>1740lbs.</b> | Side Load<br><b>1680lbs.</b> | Side Load<br><b>1580lbs.</b> |
|  | 500 rpm                     | 800 rpm                      | 1100 rpm                     | 1400 rpm                     | 1700 rpm                     | 2000 rpm                     | 2300 rpm                     | 2600 rpm                     | 3000 rpm                     |
| <b>Basic L-10 Life Hours</b>                                 | <b>31994</b>                | <b>30091</b>                 | <b>26365</b>                 | <b>26287</b>                 | <b>26770</b>                 | <b>26750</b>                 | <b>26529</b>                 | <b>26380</b>                 | <b>28052</b>                 |

TABLE 3

| <b>Side Load Ratings For 2-1/2" Bearing Supported Stub Shaft</b> |                              |                              |                              |                              |                              |                              |                              |                              |                              |
|--|------------------------------|------------------------------|------------------------------|------------------------------|------------------------------|------------------------------|------------------------------|------------------------------|------------------------------|
|  | Side Load<br><b>4850lbs.</b> | Side Load<br><b>4250lbs.</b> | Side Load<br><b>3975lbs.</b> | Side Load<br><b>3650lbs.</b> | Side Load<br><b>3450lbs.</b> | Side Load<br><b>3250lbs.</b> | Side Load<br><b>3100lbs.</b> | Side Load<br><b>2980lbs.</b> | Side Load<br><b>2780lbs.</b> |
|  | 500 rpm                      | 800 rpm                      | 1100 rpm                     | 1400 rpm                     | 1700 rpm                     | 2000 rpm                     | 2300 rpm                     | 2600 rpm                     | 3000 rpm                     |
| <b>Basic L-10 Life Hours</b>                                     | <b>32314</b>                 | <b>30014</b>                 | <b>26679</b>                 | <b>27075</b>                 | <b>26404</b>                 | <b>26847</b>                 | <b>26901</b>                 | <b>26789</b>                 | <b>28597</b>                 |

TABLE 4

Hayes Manufacturing, Inc. Phone(231)879-3372 Fax(231)879-4330  
E-Mail: hayes@hayescouplings.com